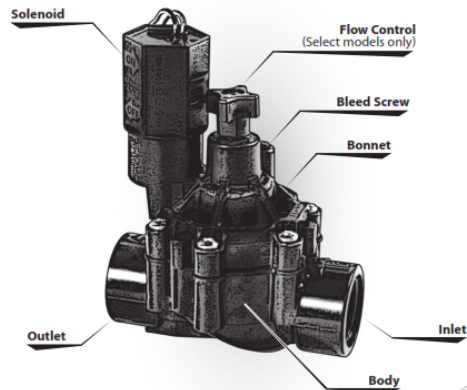




In-Line Valve Installation Instructions

P/N: 236097 Rev. 10/12



In the interest of product improvement, Rain Bird reserves the right to change product design or specifications without notification.

*Trademark of Rain Bird Corporation. © 2012 Rain Bird Corporation.

Rain Bird Corporation Consumer Products Division Customer Service Center
6991 E. Southpoint Rd. Building #1 Tucson, AZ 85706



www.RainBird.com

1-800-RAINBIRD

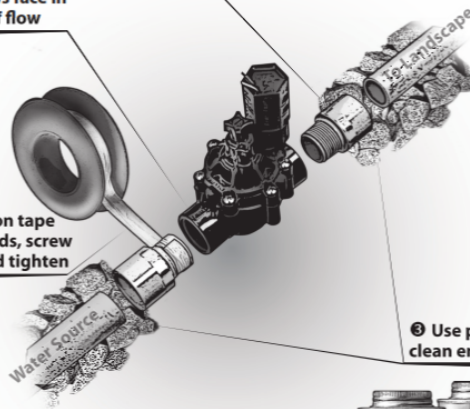
Easy installation!

1 Make sure the valve arrows face in direction of flow

Male thread to pipe adapter

2 Apply Teflon tape to male threads, screw into valve and tighten

3 Use primer to clean ends and glue



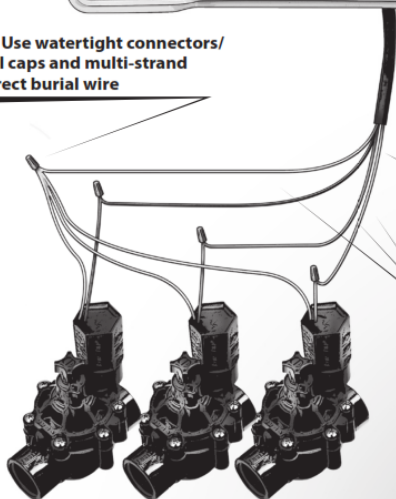
Working with Wires



1 Use watertight connectors/gel caps and multi-strand direct burial wire

2 Connect the common wire (usually white) from the controller to either one of the two wires from solenoid valve

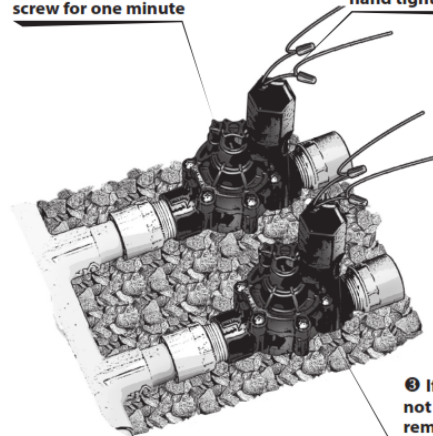
3 Attach remaining valve wire lead to the strand color for that zone



First Use

1 Flush valve by opening the valve bleed screw for one minute

2 Tighten bleed screw and test system—if valve does not close fully, check solenoid and bleed screw for leaks. Remove, clean, and hand tighten if necessary



3 If valve still does not close fully—remove bonnet, flush, and reinstall